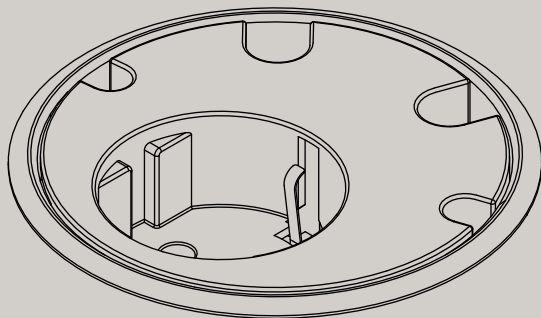
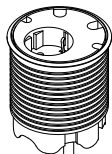


POWERDOT¹¹

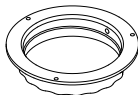


PARTS

(A) ×1 PCE



(B) ×1 PCE



TOOLS

T1 ×1 PCE

Ø 79mm
NOT INCLUDED



GENERAL NOTES

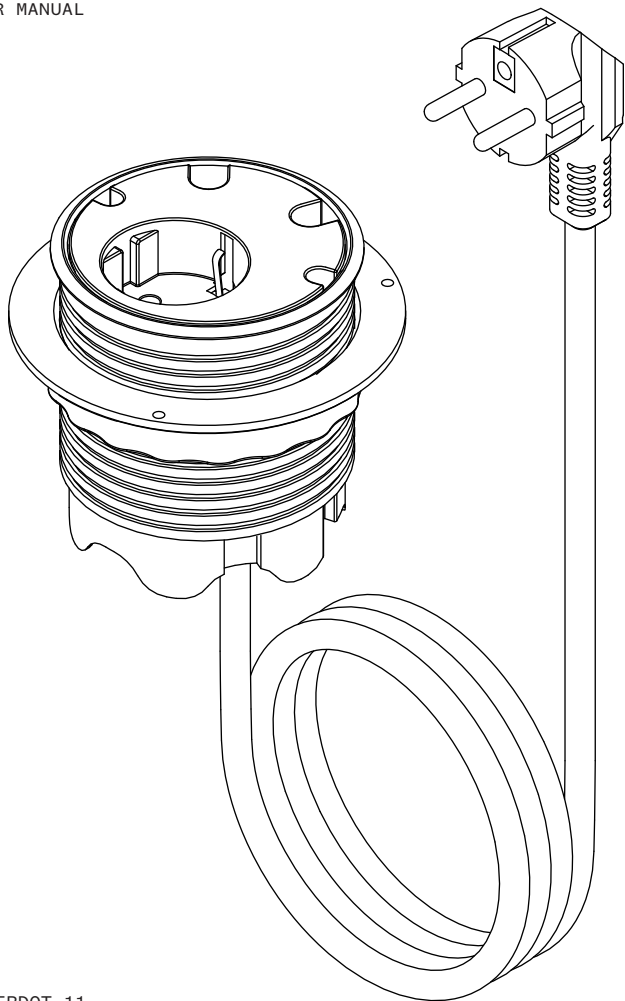
Before installation, all measurements and conditions must be verified on site. Neither Forming Function nor any of its distributors can be held liable for product malfunction or other defects as a result of improper installation.

GENERAL NOTES

Avant l'installation, toutes les dimensions et conditions doivent être vérifiées sur place. Ni Forming Function ni ses partenaires commerciaux ne peuvent être tenus responsables des défauts du produit ou d'autres défauts pouvant être attribués à une mauvaise installation.

GENERAL NOTES

Vor dem Einbau sind alle Maße und Bedingungen bauseits zu prüfen. Weder Forming Function noch seine Vertriebspartner können für Produktfehler oder sonstige Mängel, die auf unsachgemäße Installation zurückzuführen sind, haftbar gemacht werden



POWERDOT¹¹

1× SOCKET TYPE F, 4× CABLE GROMMET, ADJUSTABLE HEIGHT, BLACK/WHITE

ART. NO

9358001101

WHITE

9358001109

BLACK

PRODUCT DATA

DIAMETER

Ø83mm

HEIGHT

91 - 142mm

MOUNTING HOLE DIAMETER

Ø79mm

MAXIMUM TABLE THICKNESS

55mm

CABLE GROMMET DIAMETER

2×7mm, 2×9,5mm

CABLE LENGTH

125cm 3×1,5mm²

PLUG TYPE

CEE 7/7

MATERIAL

POLYAMIDE

PROTECTION CLASS

IP20

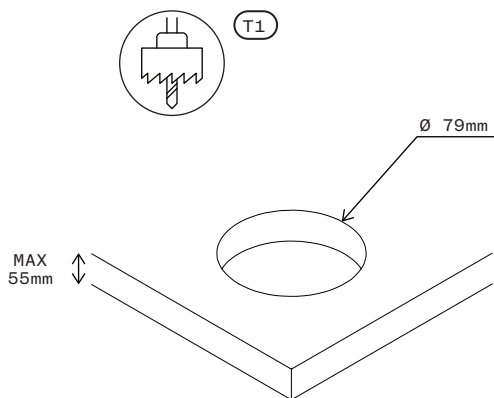
MAXIMUM POWER OUTPUT

3500W

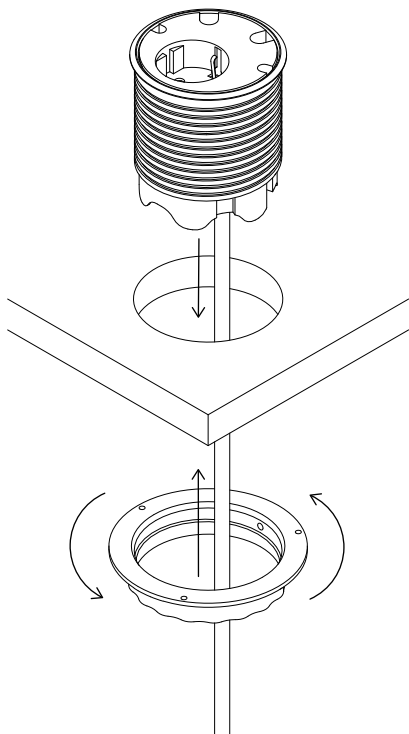
FORMING FUNCTION

Good design is based on human experience. That is why we promise to put as much love into creating technology that works, as something designed to be seamless, cherished and loved - we don't compromise on function or form.

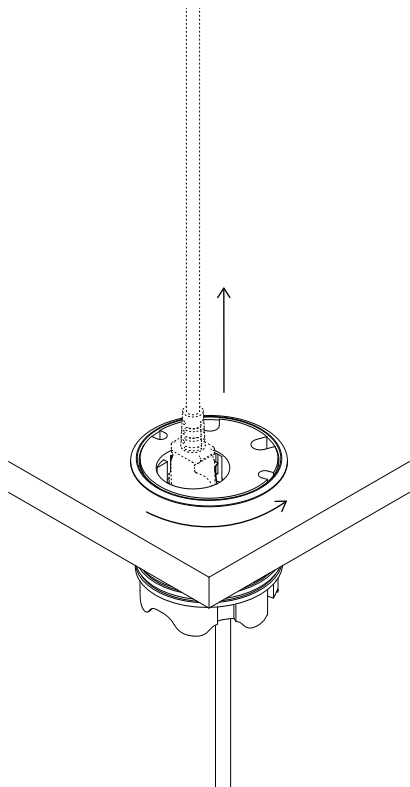
STEP 1



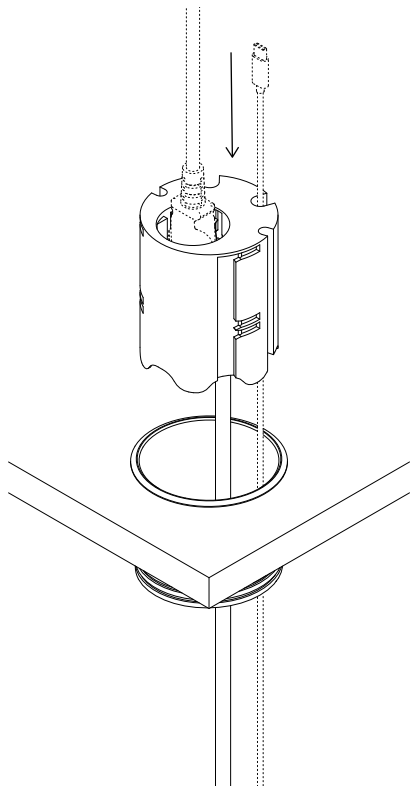
STEP 2



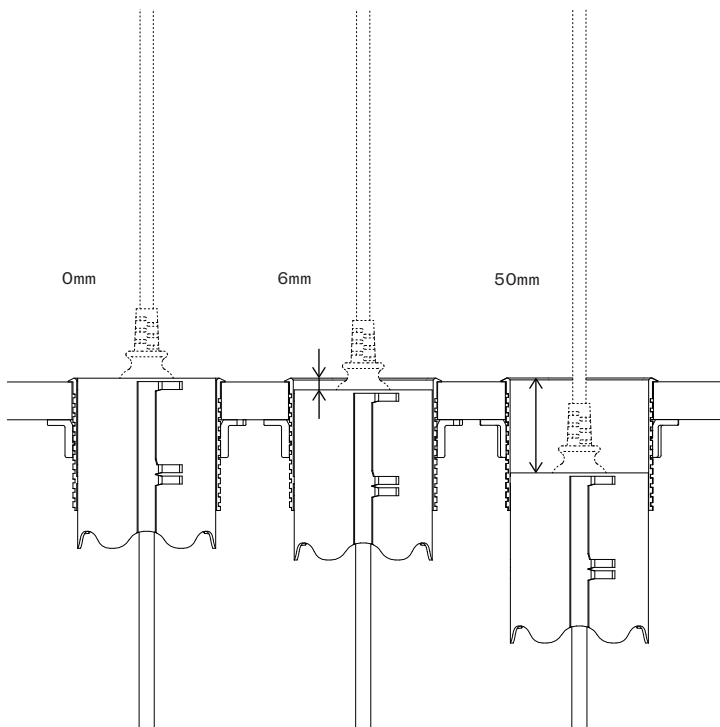
STEP 3



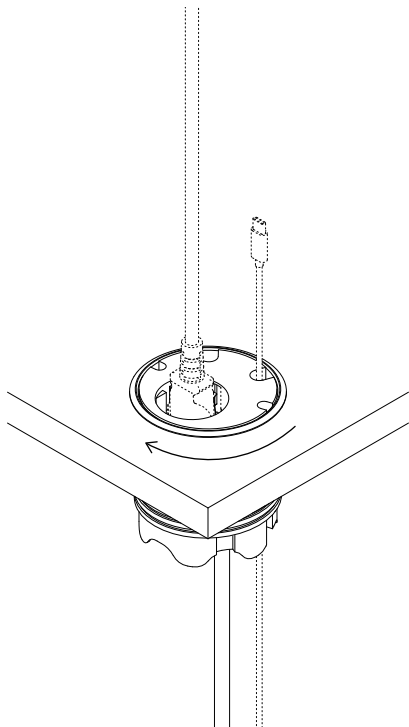
STEP 4



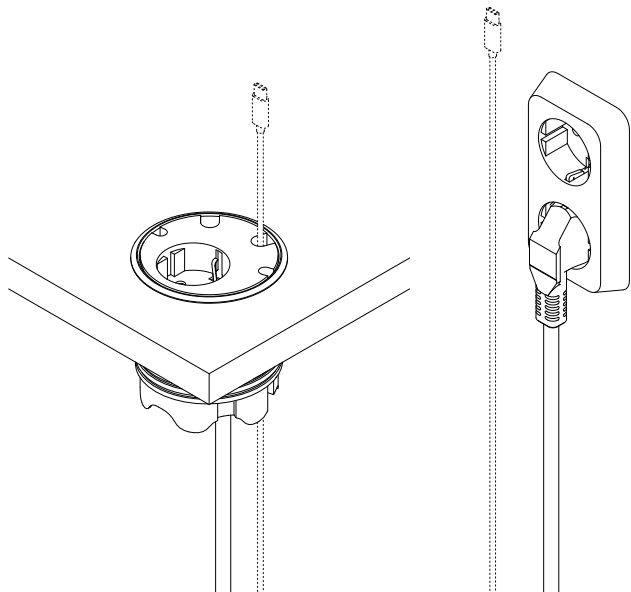
STEP 5



STEP 6



STEP 7



L